



## Easy 4T Manual

Electrical Supply

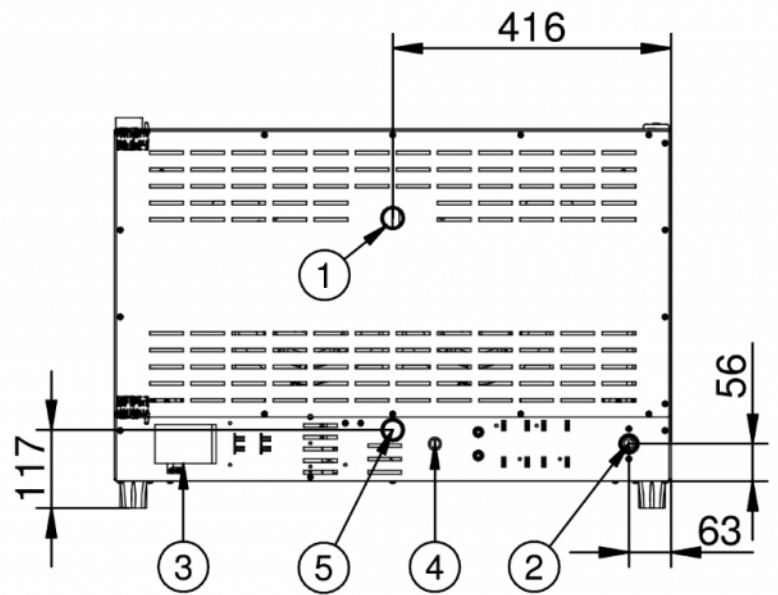
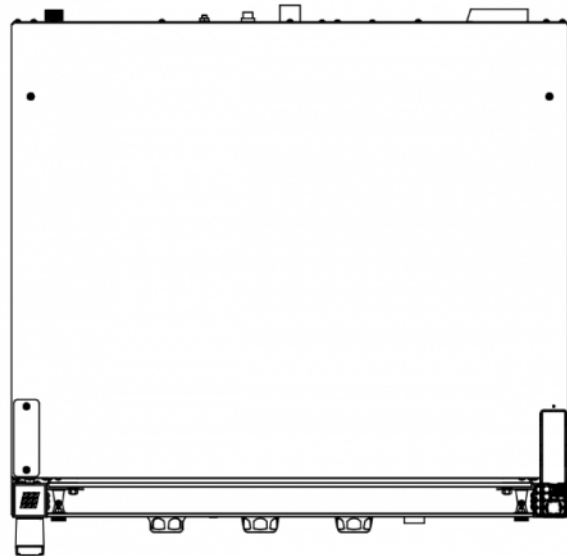
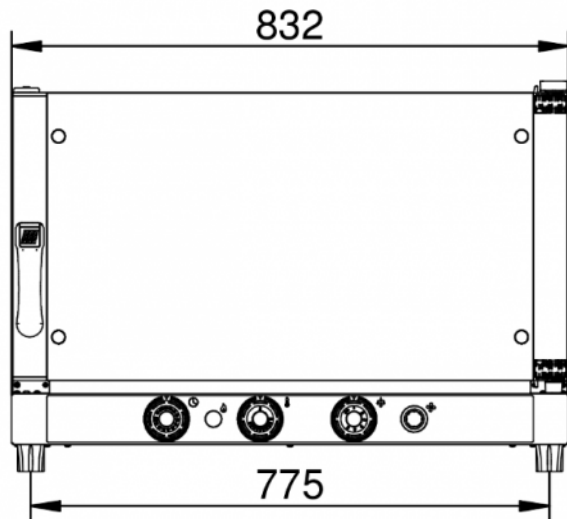
CODE: 925804120

Trays	4T GN1/1 - 4T 60x40 cm
Outside dimension	830 L x 830 P x 570 H mm
Tray distance	75 mm
Power	8,5 kW
Weight	56 Kg
Max temperature	270° C
Power supply	400 V ~ 3PH + N + PE 230 V ~ 3PH + PE 230 V ~ 1PH + N + PE 50-60 Hz

### Equipment

BakeAIR 5-speed fan system	Double low emissive glass	High-performance thermal insulation
Two fan speeds	Three cooking modes	Rounded baking chamber
Modularity	CE Certificate	Steam control in percentage BakeSTEAM
Manual mode	EAC certification	Overlap option

### Options



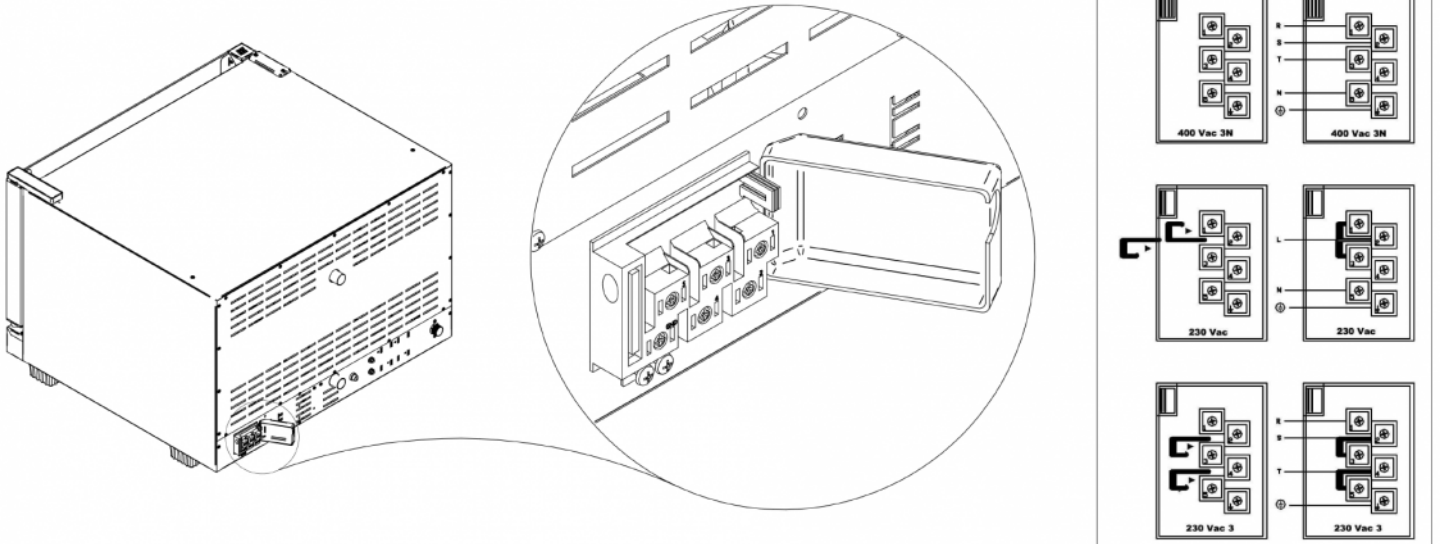
**Legend**

- 1 - Steam exhaust Ø 30mm
- 2 - Water inlet 3/4"
- 3 - Terminal box supply
- 4 - Safety thermostat
- 5 - Water exhaust Ø 30mm

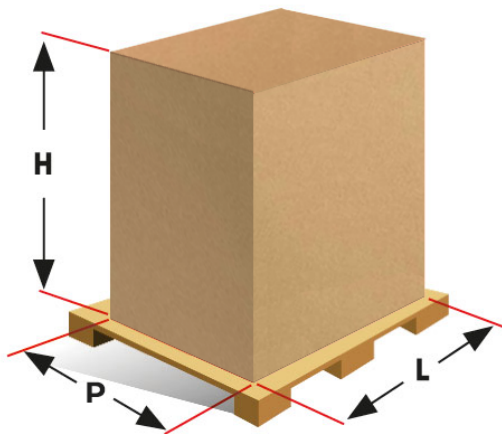
Easy 4T Manual

Electrical Supply

Supply and Connections



Packaging



Packing size:	900 L x 900 P x 720 H mm
Net weight:	56 Kg
Gross weight:	66 Kg