



Rotorbake E2/T2 10T 46×66 Vision

Electrical Supply

CODE: 926009130

Trays	10T 46x66 cm
Outside dimension	1150 L x 1200 P x 1310 H mm
Tray distance	82 mm
Power	16 kW
Weight	265 Kg
Max temperature	270° C
Power supply	400 V ~ 3PH + N + PE 400 V ~ 2PH + N + PE 230 V ~ 3PH + PE 230 V ~ 1PH + N + PE 50-60 Hz

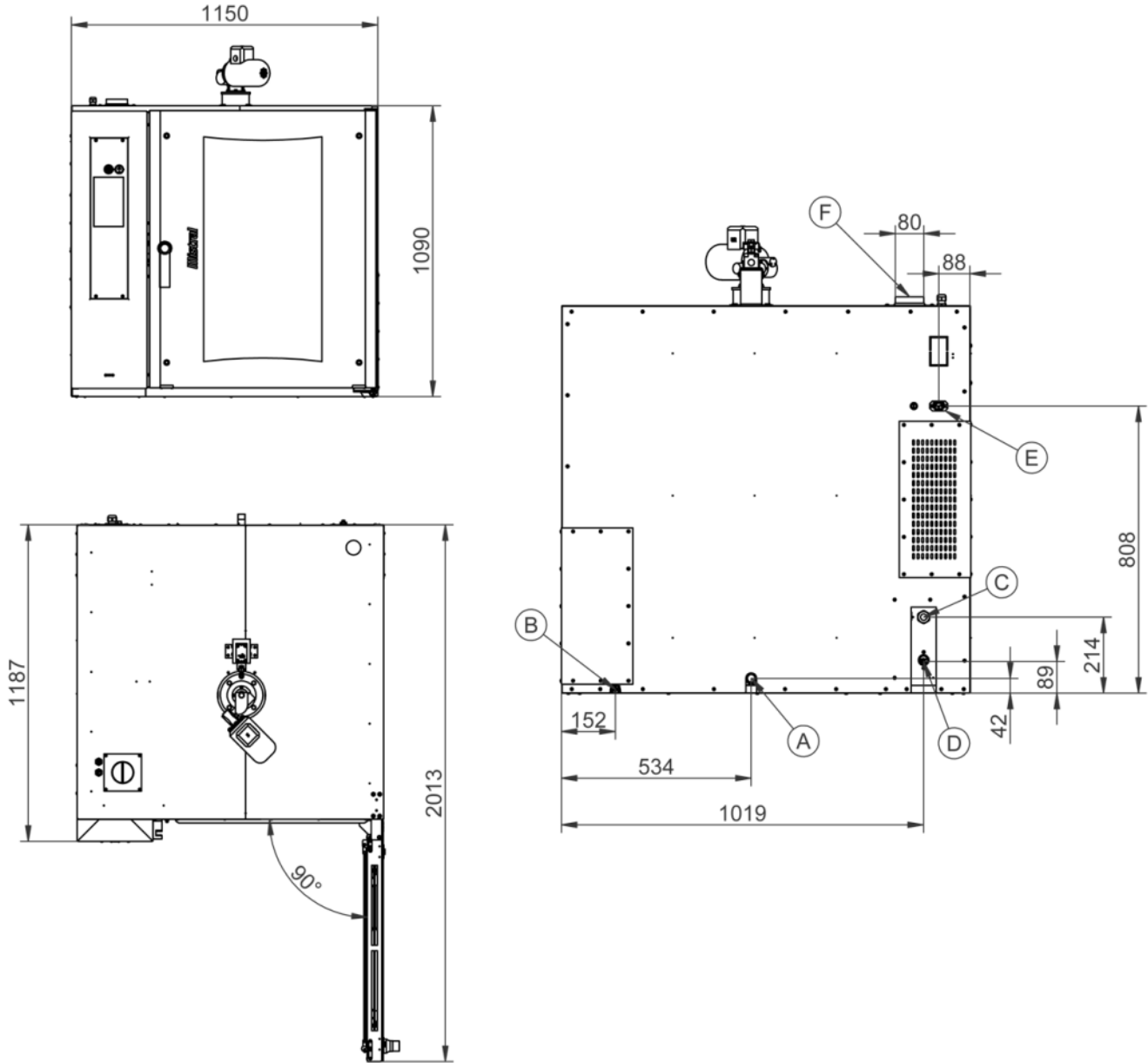
Equipment

Display touch screen	BakeAIR 5-speed fan system	Double low emissive glass
High-performance thermal insulation	USB connection	Five fan speeds and semi-static cooking
Five cooking modes	Automatic chimney opening BakeDRY	Program blocking with password
CE Certificate	Automatic control of dry/steam balance inside the chamber	Steam control in percentage BakeSTEAM
Automatic control of the cooking level and load	Multi-timer function for multiple and mixed cooking	Time-programmable steam injection
Manual steam injection	Storage, viewing* and exportation of cooking data (haccp)	Customized programs mode
Manual mode	Preset programs mode	ETL / NSF certification
EAC certification	Automatic preheating	Cooling program
Delayed start programming	Delayed cooking programming	Cooking chamber automatic cooling
Pre-loaded and online cookbook	Automatic detection and errors report	Adattivo steam pressure and chamber saturation control

Options

Rotorbake E2/T2 10T 46×66 Vision

Electrical Supply



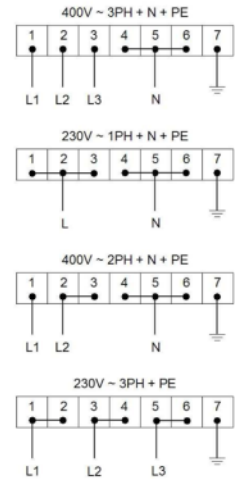
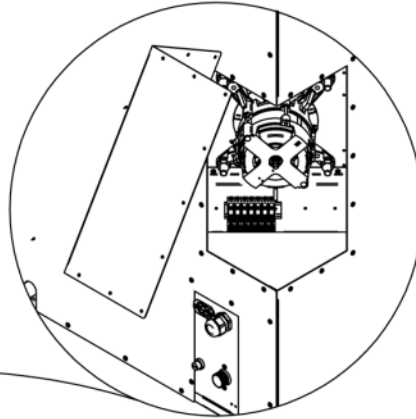
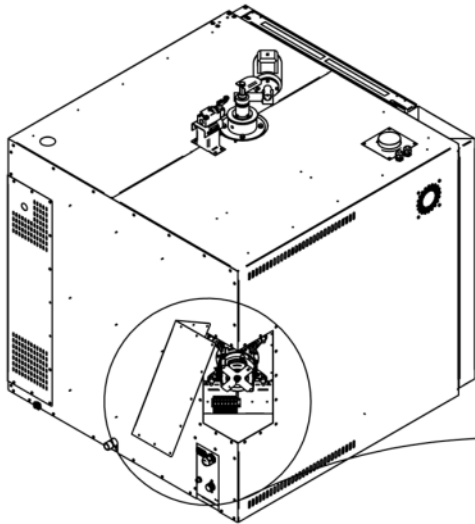
Legend

- A - Drain liquid Ø 30mm
- B - Equipotential terminal comb
- C - Electric supply
- D - Water inlet 3/4"
- E - Extracting hood supply
- F - Steam exhaust Ø 80mm

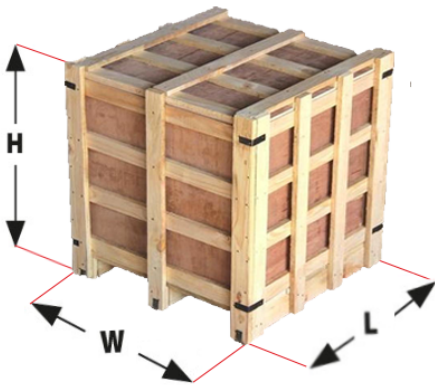
Rotorbake E2/T2 10T 46×66 Vision

Electrical Supply

Supply and Connections



Packaging



Packing size:	1240 L x 1400 P x 1520 H mm
Net weight:	265 Kg
Gross weight:	305 Kg