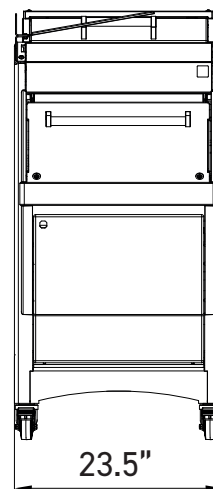
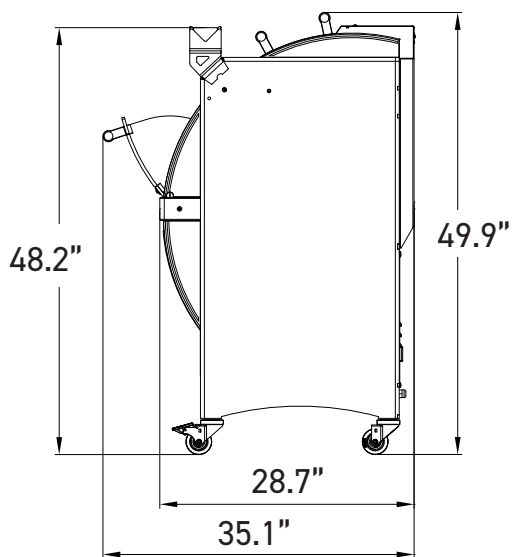




NEW SELF

- ✓ Customer Self service slicer
- ✓ Lower center of gravity
- ✓ Automatic start when safety cover is closed no pushing buttons
- ✓ Large heavy duty crumb tray with ergonomic soft close door
- ✓ 5 year parts warranty





ISC® (Intelligent Slicing Control) (patent JAC)
Automatic control system of pressure and slicing speed . It adapts the cutting action according to the consistency of the bread. no manual setting needed.



Removable crumb collector
Completely safe. Accessible by tilting the front door.
6.6 gallons capacity.



Front safety cover
Locked during the slicing process for maximum safety.



Rear safety cover
Closing it initiates the slicing process and it remains mechanically and electrically locked during cutting.

FEATURES

NEW SELF 450

Max. loaf dimensions in cm (L x W x H)	17.3" x 12.2" x 6.3"
Motor power in kW	0.49
Type of motor	1ph/120V/60Hz/7.3A
Plug Configuration	NEMA 5-15P*
Net weight in lbs	462
JAC FIX	•

SLICE THICKNESS	
INCH TO MM	
3/8"	10
7/16"	11
1/2"	13
5/8"	16
3/4"	19
7/8"	22
1"	25
1 1/4"	31

