



TILTI



Vertical bowl elevator-tipper

TILTI Bowl elevator-tippers are used to transfer dough from the mixer bowls with removable trolley onto a worktable or a hopper assembled on SP-DVP volumetric dividers. A vertical lifting of the bowl and the option of selecting a frontal or a lateral hooking, both with a right-or left-hand side tipping, allow optimum flexibility of use and minimal amount of operational space.

TILTI elevators-tippers – as generally required by the industrial lines– can be built, upon request, for heights of coupling up to 3100 mm, with a fully protective case and automatic tipping.

Standard features

- Sturdy steel structural frame painted with an anti-corrosion and epoxy powder coating (suitable for food contact).
- Hydraulic ram lifting system.
- “Hold-to-run” type control panel with double push-button.
- Bowl position safety control.
- 24V low-voltage electric control panel.
- Power supply 400V/3/50 Hz (different voltage upon request)
- (**) Mixer model owned by the Customer to be always specified.

-For pairing with ISE A and FBLA, it is needed an adaptation kit for each rack in possession of the customer, ref. kit cod. AF5112957.

-For pairing with metal carpentry racks for SPI A and ISE N A, it is needed an adaptation kit for each rack in possession of the customer, ref. kit cod. AF52B001042.

MODELS

TIPPING HIGH ONTO HOPPER

TILTI H-1 Lateral tipping on the right-hand side

TILTI H-2 Lateral tipping on the left-hand side

TILTI H-3 Frontal tipping, left-hand column

TILTI H-4 Frontal tipping, right-hand column

TIPPING HIGH ONTO WORKTABLE

TILTI B-1 Lateral tipping on the right-hand side

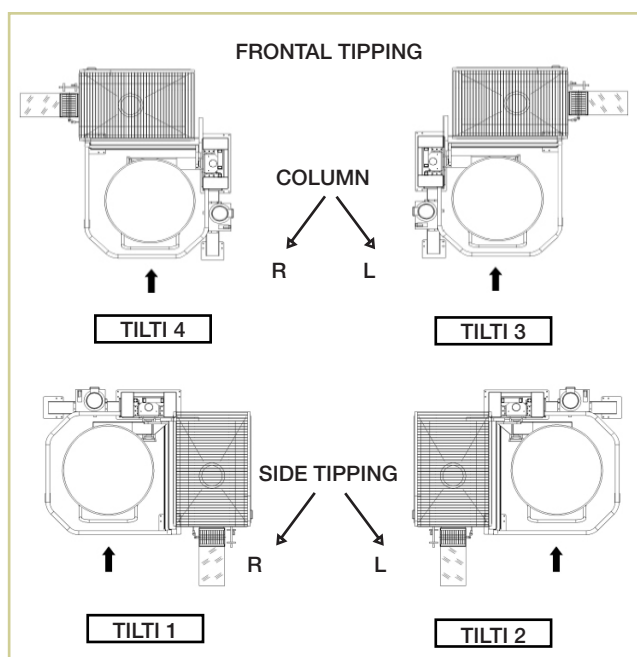
TILTI B-2 Lateral tipping on the left-hand side

TILTI B-3 Frontal tipping, left-hand column

TILTI B-4 Frontal tipping, right-hand column

SPECIAL EXECUTIONS UPON REQUEST

Tipping heights over 1800 mm up to 3100 mm and/or versions with automatic tipping and whole protection case (industrial version) are available upon request, i.e. per customer's specifications.



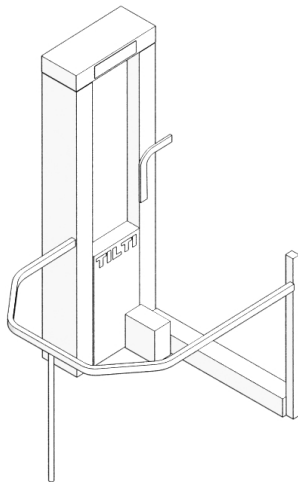


SOLLEVATORE DI VASCHE TILTI

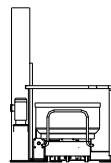
NOR07F004-1_02

TILTI BOWL LIFTER

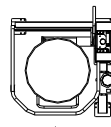
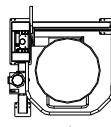
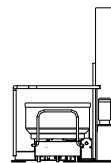
TILTI -FRONTAL CHARGING / CARICO FRONTALE-
 HIGH DISCHARGING COLUMN R / SCARICO ALTO COLONNA A DX = TILTI H-4
 HIGH DISCHARGING COLUMN L / SCARICO ALTO COLONNA A SX = TILTI H-3
 LOW DISCHARGING COLUMN R / SCARICO BASSO COLONNA A DX = TILTI B-4
 LOW DISCHARGING COLUMN L / SCARICO BASSO COLONNA A SX = TILTI B-3



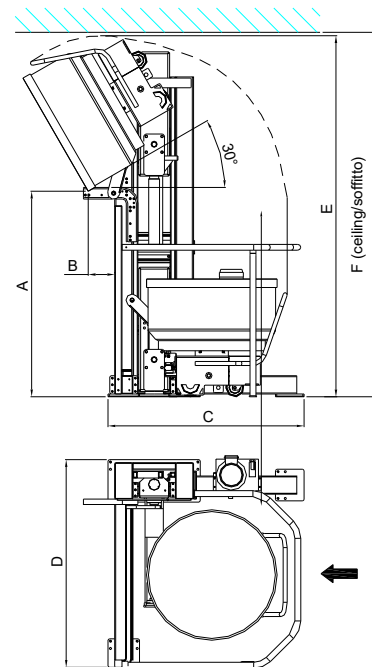
DISCHARGING/SCARICO COLUMN L / COLONNA SX



DISCHARGING/SCARICO COLUMN R / COLONNA DX



FRONTAL CHARGING CARICO FRONTALE



SCARICO A BANCO / TIPPING ONTO WORKTABLE

TILTI / F		VASCA / BOWL 160	VASCA / BOWL 200	VASCA / BOWL 250	VASCA / BOWL 300
A	mm	1320	1290	1240	1200
B	mm	150	200	140	210
C	mm	1615	1615	1615	1615
D	mm	1710	1710	1710	1710
E	mm	2470	2470	2470	2470

SCARICO SU TRAMOGGIA / TIPPING ONTO HOPPER

TILTI / F	mm	VASCA / BOWL 160	VASCA / BOWL 200	VASCA / BOWL 250	VASCA / BOWL 300
A	mm	1815	1785	1735	1695
B	mm	150	200	140	210
C	mm	1615	1615	1615	1615
D	mm	1710	1710	1710	1710
E	mm	2970	2970	2970	2970

CON TRAMOGGIA / WITH HOPPER

HLR-220 Kg - HLT-280 Kg

Nota: Tramoggia con soffitto H minima: 3000 mm. / Note: Hopper with minimum ceiling height: 3000 mm.

SCARICO SU TRAMOGGIA / TIPPING ONTO HOPPER

TILTI / F		VASCA / BOWL 160	VASCA / BOWL 200	VASCA / BOWL 250	VASCA / BOWL 300
A	mm	1915	1885	1835	1795
B	mm	150	200	140	210
C	mm	1615	1615	1615	1615
D	mm	1710	1710	1710	1710
E	mm	3075	3075	3075	3075

CON TRAMOGGIA / WITH HOPPER

HLR-220 Kg - HLT-280 Kg

Nota: Tramoggia con soffitto H minima: 3100 mm. / Note: Hopper with minimum ceiling height: 3100 mm.

POTENZA INSTALLATA / INSTALLED POWER kW	2,2	2,2	2,2	2,2
POTENZA MASSIMA / MAXIMUM POWER kW	2,2	2,2	2,2	2,2
CONNESSIONE ELETTRICA / PLUG COUPLING	3PH+Gr	3PH+Gr	3PH+Gr	3PH+Gr

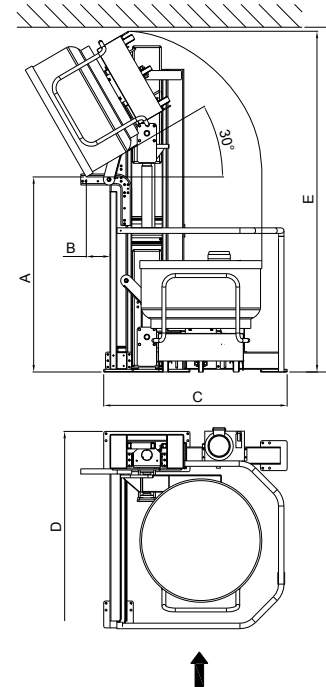
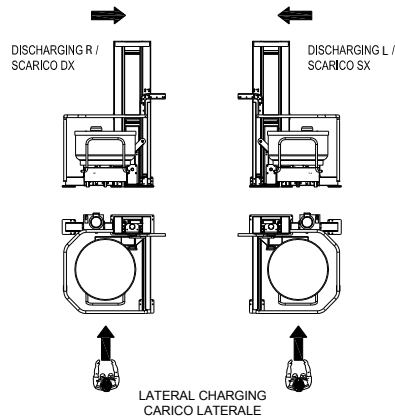
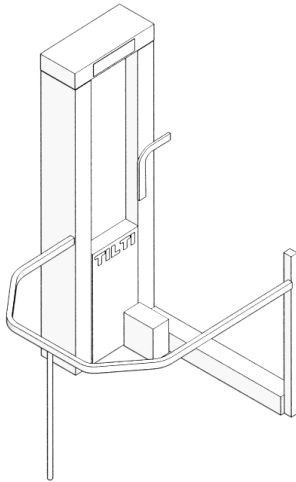


SOLLEVATORE DI VASCHE TILTI

NOR07F004-2_02

TILTI BOWL LIFTER

TILTI - LATERAL CHARGING / CARICO LATERALE-
 HIGH DISCHARGING R / SCARICO ALTO DX = TILTI H-1
 HIGH DISCHARGING L / SCARICO ALTO SX = TILTI H-2
 LOW DISCHARGING R / SCARICO BASSO DX = TILTI B-1
 LOW DISCHARGING L / SCARICO BASSO SX = TILTI B-2



SCARICO A BANCO / TIPPING ONTO WORKTABLE

TILTI / L		VASCA / BOWL 160	VASCA / BOWL 200	VASCA / BOWL 250	VASCA / BOWL 300
A	mm	1320	1290	1240	1200
B	mm	150	200	140	210
C	mm	1615	1615	1615	1615
D	mm	1710	1710	1710	1710
E	mm	2470	2470	2470	2470

SCARICO SU TRAMOGGIA / TIPPING ONTO HOPPER

TILTI / L		VASCA / BOWL 160	VASCA / BOWL 200	VASCA / BOWL 250	VASCA / BOWL 300
A	mm	1815	1785	1735	1695
B	mm	150	200	140	210
C	mm	1615	1615	1615	1615
D	mm	1710	1710	1710	1710
E	mm	2965	2965	2965	2965

CON TRAMOGGIA / WITH HOPPER

HLR-220 Kg - HLT-280 Kg

Nota: Tramoggia con soffitto H minima: 3000 mm. / Note: Hopper with minimum ceiling height: 3000 mm.

SCARICO SU TRAMOGGIA / TIPPING ONTO HOPPER

TILTI / L		VASCA / BOWL 160	VASCA / BOWL 200	VASCA / BOWL 250	VASCA / BOWL 300
A	mm	1915	1885	1835	1795
B	mm	150	200	140	210
C	mm	1615	1615	1615	1615
D	mm	1710	1710	1710	1710
E	mm	3070	3070	3070	3070

CON TRAMOGGIA / WITH HOPPER

HLR-220 Kg - HLT-280 Kg

Nota: Tramoggia con soffitto H minima: 3100 mm. / Note: Hopper with minimum ceiling height: 3100 mm.

POTENZA INSTALLATA / INSTALLED POWER	kW	2,2	2,2	2,2	2,2
POTENZA MASSIMA / MAXIMUM POWER	kW	2,2	2,2	2,2	2,2
CONNESSIONE ELETTRICA / PLUG COUPLING		3PH+Gr	3PH+Gr	3PH+Gr	3PH+Gr



SOLLEVATORE DI VASCHE TILTI

NOR07F004-3_02

TILTI BOWL LIFTER

