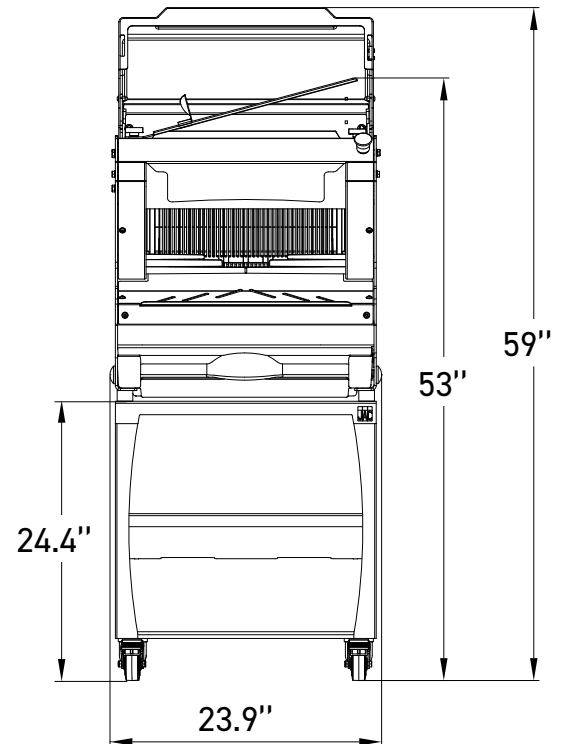
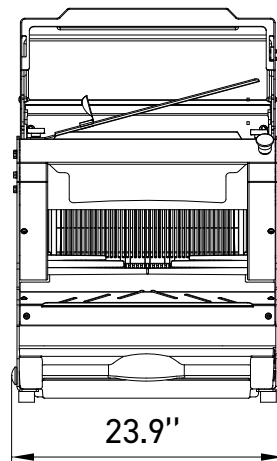
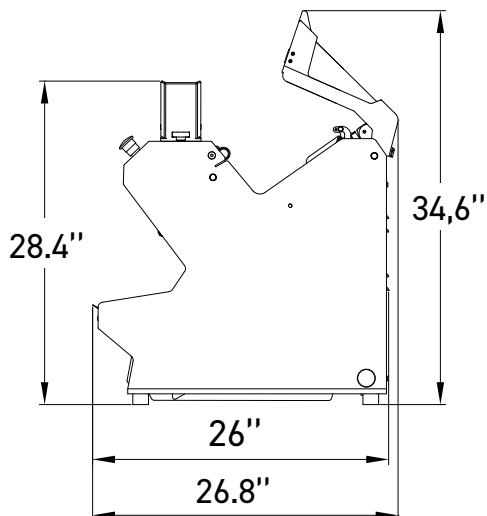




PICOMATIC ONE

- ✓ Small footprint
- ✓ Can be used on a counter-top or on a base
- ✓ Automatic slicing cycle, simple to use and optimizes time management
- ✓ Ergonomic front loading design
- ✓ Intelligent Slicing Concept
- ✓ 5 years parts / 1 year labor warranty





Intelligent Slicing Concept (JAC patent)
Continuous automatic control system that slices loaves according to their consistency. This allows open textured, crusty and dense breads to be sliced with equal efficiency.



Removable crumb collector
Made of light-weight material, accessible from the front. 1,85 gallons capacity.



JAC FLAPS
Holds the loaf together for easier handling.



Option
Front safety cover
If opened during the cutting cycle, the machine stops.



Option
Wheeled base
Provides storage space and mobility.

FEATURES		PICOMATIC ONE 450
Max. loaf dimensions in in (L x W x H)		17.3" x 11.8" x 7"
Rear safety cover		•
Motor power in kW		0.49
Type of motor		1ph/120V/60Hz/7.3A
Net weight in lbs		231

CHOICES	
Slice thickness options	from 3/8" to 5/8"

OPTION	
Special slice thickness (more than 5/8 ")	•

ACCESSORY	
Wheeled base	•