

TYPE K PANCAKE DISPENSER

- **Item Number 8504011** Type K Pancake Depositor
- **Item Number K-1016WSS** Holder for Type K

FEATURES

Belshaw's Type K Pancake Dispenser is the professional's choice for accurately depositing pancake batter. The Pancake Dispenser is quick and easy to use and provides accurate portion control at a variety of sizes, from mini to extra large.

- Belshaw's Type K depositors are designed to be mastered by the novice in minutes. Operation is easily accomplished with minimal waste, and consistent deposits are easily delivered time after time.
- Each pancake dispenser offers 7 calibrated volume settings located on the handle with weight range from ½ - 3 oz (15-85g). Hopper size is generous, allowing 44 typical 2 oz portions. Each hopper is constructed of aluminum to reduce weight. Each plunger and cylinder is constructed of stainless steel to assure durability. The entire unit is corrosion resistant and easy to clean.
- The Type K Pancake Dispenser is certified to NSF-169.

ACCESSORIES

- The stainless steel Type K Holder is simple, easy to keep clean, and helps keep your pancake dispenser safe from damage.
- Item #K-1016WSS: Type K Holder



↑ Type K Pancake Dispenser (Item# 8504011)

↓ Type K Pancake Dispenser with Holder (Item #K-1016WSS)



CONSTRUCTION

- Aluminum hopper
- Stainless steel plunger and cylinder

CAPACITY AND DEPOSIT WEIGHTS

- Hopper capacity: up to 5.5 lbs (2.5 kg) batter weight
- Average deposits per hopper when full: approx 40 x 2oz deposits
- 8 weight settings on handle
- Weight range approximately 1/2 to 3oz (14 - 85g) per deposit

CERTIFICATION

- Certified to NSF-169

WEIGHT AND DIMENSIONS

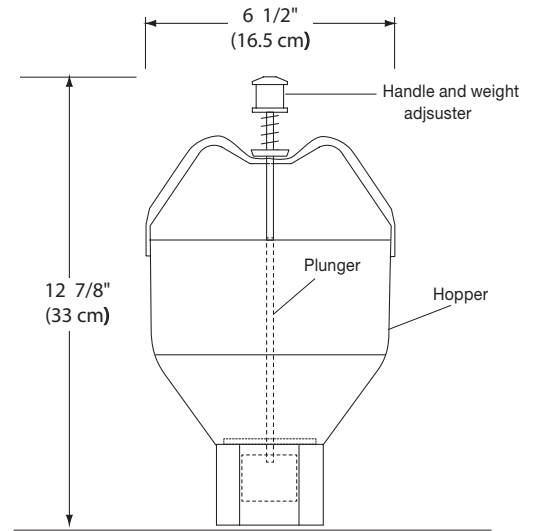
- Overall height: 13" (330 mm)
- Hopper diameter: 6 1/2" (165mm)

SHIPPING DATA

- Carton width: 7 1/2"
- Carton depth: 7 1/2"
- Carton height: 14 1/2"
- Carton weight: 3 lbs

MODEL SELECTION

- Item Nbr 8504011: Type K Pancake Dispenser
- Item Nbr 8504012: Type K Pancake Dispenser with K-1016WSS Holder (together):
- Item Nbr K-1016WSS: Holder for Type K:



• Item Number K-1016WSS
Holder for Type K

TYPE K HUSHPUPPY DEPOSITOR

● **Item Nbr 8504045**

Type K Hushpuppy Depositor, deposits 2 Hushpuppies

● **Item Nbr K-1016WSS**

Holder for Type K

FEATURES

● Belshaw's Type K Hushpuppy Depositor is ideal for depositing Southern Fried Hushpuppies with smaller fry such as Belshaw's 616B. The Type K is quick and easy to use, and designed to be mastered by the novice in minutes. Operation is easily accomplished with minimal waste, and consistent deposits are easily delivered time after time.

● Each dispenser offers 6 calibrated volume settings located on the handle with weight range from approximately ½ oz to 1.8 oz (10 to 24 grams). Hopper size is generous and holds about 5.5 pounds of dough. Each hopper is constructed of aluminum; each plunger and cylinder is constructed of stainless steel. The entire unit is corrosion resistant and easy to clean.

● NSF certified.

ACCESSORIES

● Item #K-1016WSS: Type K Stand. The stainless steel Type K Stand is simple, easy to keep clean, and helps keep your depositor safe from damage.

CERTIFICATION

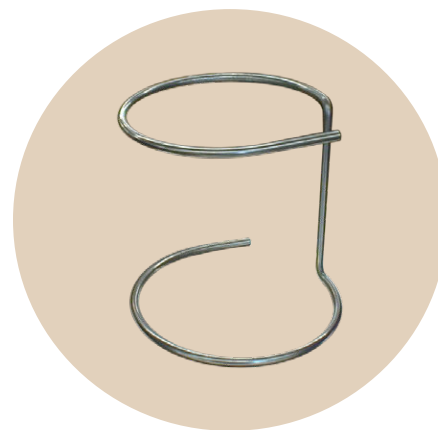


NSF-169



Above: Type K Hushpuppy Depositor with Holder

Below: Item Number K-1016WSS Stand for Type K



CONSTRUCTION

- Aluminum hopper
- Stainless steel plunger and cylinder

PLUNGER

- Specialized plunger deposits 2 hushpuppies when handle is pressed
- Part # K-1038

CAPACITY AND DEPOSIT WEIGHTS

- Hopper capacity: up to 5.5 lbs (2.5 kg) batter weight
- Deposits per hopper when full: approx 85 x 1 oz (28g) deposits
- 6 weight settings on handle
- Weight range ½ oz – 1.8 oz (12g – 50g) per deposit
- Weights are approximate

WEIGHT AND DIMENSIONS

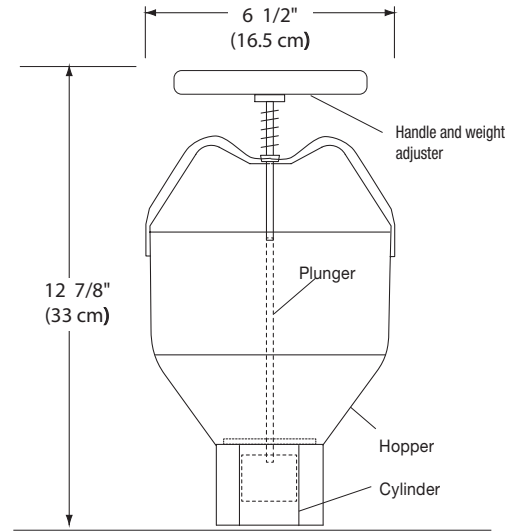
- Overall height: 12-7/8" (33 cm)
- Hopper diameter: 6½" (16.5 cm)

SHIPPING DATA

- Carton width: 7½"
- Carton depth: 7½"
- Carton height: 14½"
- Carton weight: 3 lbs

MODEL SELECTION

- Item Nbr 8504045 - Type K Hushpuppy Depositor
- Item Nbr K-1016WSS - Holder for Type K (optional)



Serving bakeries for **99** years

www.belshaw.com

TYPE K DONUT DEPOSITOR

- **Item Nbr 8504022**
Type K Donut Depositor with 1-9/16" plain plunger, for ring donuts
- **Item Nbr 8504023**
Type K Donut Depositor with 1-9/16" star plunger, for ring donuts with a star shaped hole
- **Item Nbr 8504052**
Type K Donut Depositor with 1" plunger, for mini donuts
- **Item Nbr K-1016WSS**
Holder for Type K

FEATURES

Belshaw's Type K Donut Depositor is ideal for creating perfectly formed cake donuts. The Type K is quick and easy to use and provides accurate portion control at a variety of sizes with a single plunger.

- Belshaw's Type K depositors are designed to be mastered by the novice in minutes. Operation is easily accomplished with minimal waste, and consistent deposits are easily delivered time after time.
- The Type K provides 6 volume settings located on the handle. Typical weight range is from 1.2 - 1.8 oz (34 - 50g). A consistently shaped product is delivered time after time.
- The hopper holds 5.5 lbs of batter (2.5 kg), allowing approximately 58 deposits of 1½ oz (43g). Each hopper is constructed of aluminum to reduce weight. Each plunger and built-in cylinder is constructed of stainless steel to assure durability. The entire unit is corrosion resistant and easy to clean.
- Two plungers are available, a 1-9/16" plunger for standard size donuts and a 1" plunger for mini donuts. In addition the Donut Depositor accepts Belshaw plunger attachments to a plain plunger. These attachments divide the donut deposit into 2, 3 or 4 pieces (as shown on following page)
- The Type K Donut Dispenser is certified to NSF-169.

ACCESSORIES

- Item #K-1016WSS: Type K Stand. The stainless steel Type K Stand is simple, easy to keep clean, and helps keep your pancake dispenser safe from damage.
- Item #K-1011S: Star Plunger (1-9/16" diameter). Produces a well rounded Ring Donut with a star shape in the center. (See following page)
- Dunkerette, Nugget or Ball attachments: economical attachments that slide onto a plain or star plunger, to make smaller donuts. (See following page)



↑ Type K Donut Depositor with Holder

↓ Holder for Type K (# K-1016WSS)



CONSTRUCTION

- Aluminum hopper
- Stainless steel plunger and cylinder

CAPACITY AND DEPOSIT

WEIGHTS

- Hopper capacity: up to 5.5 lbs (2.5 kg) batter weight
- Deposits per hopper when full: approx 58 x 1½ oz (43g) deposits
- 6 weight settings on handle
- Weight range approximately 1/2 – 1.8 oz (34 – 50g) per deposit

WEIGHT AND DIMENSIONS

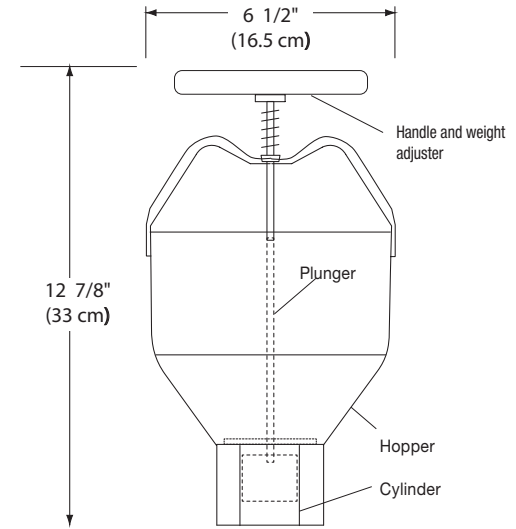
- Overall height: 13" (33 cm)
- Hopper diameter: 6½" (16.5 cm)

SHIPPING DATA

- Carton width: 7½"
- Carton depth: 7½"
- Carton height: 14½"
- Carton weight: 3 lbs

CERTIFICATION

- Certified to NSF-169



TYPE K DONUT DEPOSITOR - SELECTION GUIDE

Item Number	Plunger / Attachment	Plunger	Donut type
#8504022 TYPE K WITH PLAIN PLUNGER 1-9/16"	PLAIN PLUNGER, 1-9/16" DIAMETER For standard Ring donuts. Also makes "Old Fashion" donuts using Old Fashion donut mix. Size is adjustable using weight adjuster on Type K		
#8504023 TYPE K WITH STAR PLUNGER 1-9/16"	STAR PLUNGER, 1-9/16" DIAMETER For Ring donuts with a star pattern around the center hole. Size is adjustable using weight adjuster on Type K		
#8504052 TYPE K WITH 1" PLUNGER	MINI DONUT PLUNGER, 1" DIAMETER For mini donuts. Size is adjustable using weight adjuster on Type K		
DR42-1018x1.563 (Option)	DUNKERETTE ATTACHMENT Attaches to a Plain Plunger. Forms 2 half-donuts as shown. Size is adjustable using weight adjuster on Type K		
DR42-1016x1.563 (Option)	NUGGET ATTACHMENT Attaches to a Plain Plunger. Produces 3 separate or joined balls, depending on the height of the hopper and the type of mix. Size is adjustable using weight adjuster on Type K		
DR42-1017x1.563 (Option)	BALL ATTACHMENT Attaches to a Plain Plunger. Produces 4 separate balls, or joined balls, depending on the height of the hopper and the type of mix. Size is adjustable using weight adjuster on Type K		